



KITCHEN'S CRANE & EQUIPMENT

7913 Dunnottar Court, Chesterfield, VA 23838

1-804-814-4844 info@KitchensEquipment.com

www.kitchensequipment.com

2012 Enerpac HSL1000 Strand Jacks

Year: 2012

Make: Enerpac

Model: HSL1000

Capacity: 100 Ton

SWL: 1000 kN (225 kips)

Operating pressure: 210 bar (3045 psi)

Self weight: 850 kg (1874 lbs)

Strand type: 18 mm (0.7)

Bundle diameter: \varnothing 133 mm (\varnothing 5,2)

Stroke main jack: 480 mm (18.9)

Self weight anchor: 110 kg (243 lbs)

(4) 2018 Enerpac Power Pac

7.5 kw (10.1 hp)

Electric Controls and Engine

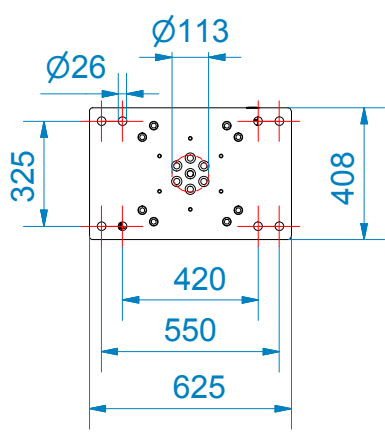
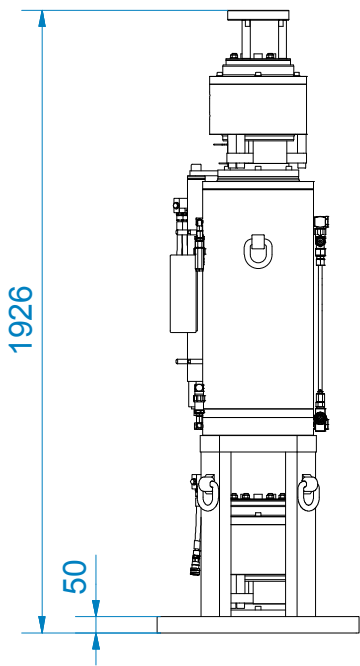
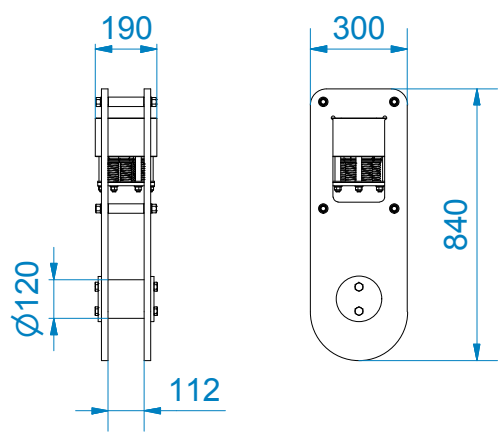
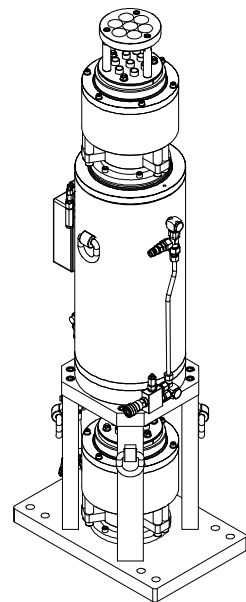






HSL1000

SWL:	1000 kN	(225 kips)
Operating pressure:	210 bar	(3045 psi)
Self weight:	850 kg	(1874 lbs)
Strand type:	18 mm	(0.7")
Number of strands:	7 nos.	
Bundle diameter:	∅133 mm	(∅5.2")
Stroke main jack:	480 mm	(18.9")
Self weight anchor:	110 kg	(243 lbs)



3rd ANGLE PROJECTION

STRAND JACK TYPE:
HSL1000
 DRAW. NO: **03161.01.00.00**

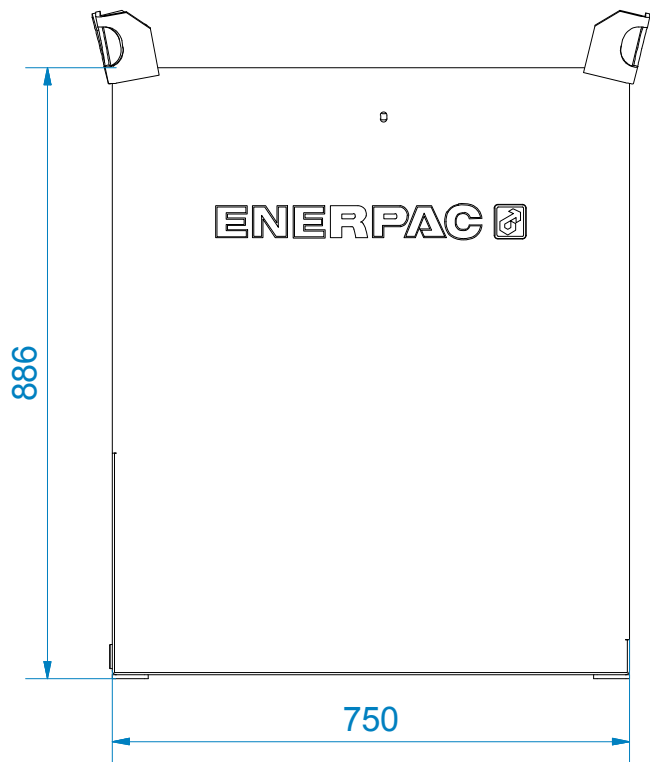
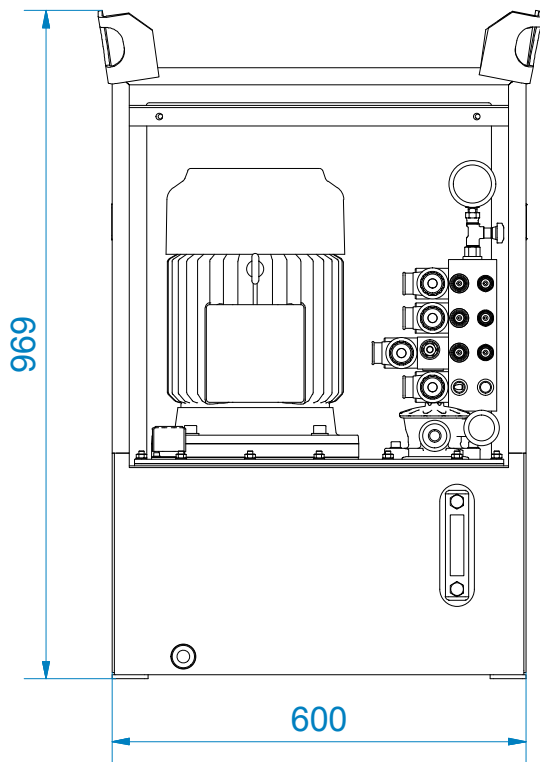
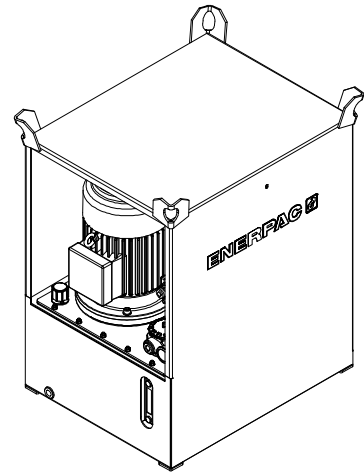
SCALE: 1 : 20

FORM: **A4**



Power Pack 7,5 kW

Self weight:	260 kg	(420 lbs)
Power:	7,5 kW	(10.1 hp)
Capacity:	60 L	(15.9 US gallon)
Source:	380 Vac	
Phases:	3	
Frequency:	50 - 60 Hz	
Controlled:	Electric (SCC)	
Engine:	Electric	



ENERPAC 
COPYRIGHTS RESERVED

3rd ANGLE
PROJECTION

TYPE:

Power Pack 7,5 kW 60 L

DRAW. NO.:

02787.14.01.00

SCALE:

1 : 10

FORM:

A4